

MISCELLANEOUS



Miscellaneous

- Punches
- Reamers
- Files
- Wood Turning Tools
- Locking Pliers



Misc.

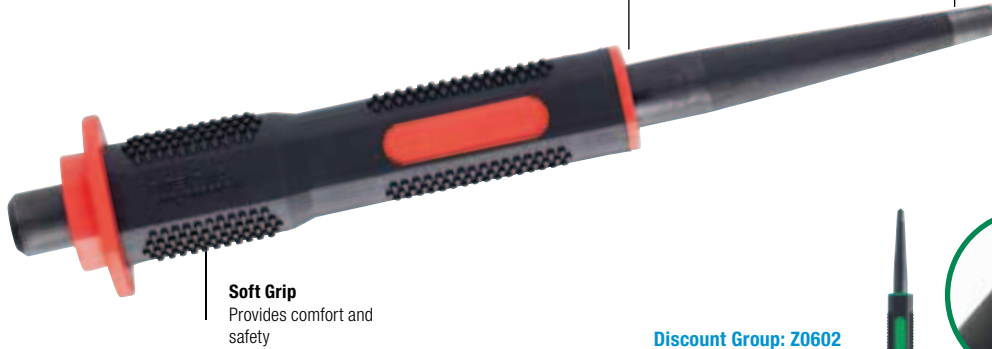
Miscellaneous Index

- 240 **Miscellaneous** Black Book
- 223 **Miscellaneous** Carbide Burs
- 221 **Miscellaneous** Countersinks
- 218 **Miscellaneous** Cutting Fluid & Paste, *Venom*
- 224 **Miscellaneous** Endmills
- 229 **Miscellaneous** Files
- 240 **Miscellaneous** Frost DIY Range
- 239 **Miscellaneous** Lockjaw
- 226 **Miscellaneous** Measuring Tools
- 228 **Miscellaneous** Measuring Tools - Digital Caliper
- 228 **Miscellaneous** Measuring Tools - Outside Micrometer
- 218 **Miscellaneous** Punches
- 220 **Miscellaneous** Reamers – Adjustable
- 237 **Miscellaneous** Recipro Tools
- 235 **Miscellaneous** Right Angle Drill Attachment
- 225 **Miscellaneous** Slot Drills
- 233 **Miscellaneous** Wood Turning Tools

suttontools

All Sutton punches are made from high quality chrome vanadium steel, black oxide. The point is hardened and tempered to withstand continuous use. Ergonomic soft rubber grip provides comfort and safety.

High quality
Made from high quality chrome vanadium steel, black oxide



Soft Grip
Provides comfort and safety

Colour Coded

Discount Group: Z0602

Description	OA Length	Pieces	Item #	Barcode	Price
Roofing Punches					
6.0	195	1	M711 0600	9311963569956	M711
Flooring Punches					
5.0	185	1	M712 0500	9311963569963	M712
Centre Punches					
2.0	165	1	M707 0200	9311963569628	M707
3.0	165	1	M707 0300	9311963569635	
4.0	175	1	M707 0400	9311963569642	
5.0	175	1	M707 0500	9311963569659	
6.0	175	1	M707 0600	9311963569666	
8.0	185	1	M707 0800	9311963569673	
10.0	185	1	M707 1000	9311963569680	
12.0	185	1	M707 1200	9311963569697	
Set (2, 3, 4, 5, 6mm)		5	M707 0005	9311963569703	
Nail Punches					
1.5	160	1	M709 0150	9311963569802	M709
2.0	175	1	M709 0200	9311963569819	
2.5	175	1	M709 0250	9311963569826	
3.0	175	1	M709 0300	9311963569833	
4.0	175	1	M709 0400	9311963569840	
5.0	180	1	M709 0500	9311963569857	
6.0	180	1	M709 0600	9311963569864	
Set (2, 3, 4, 5, 6mm)		5	M709 0005	9311963569871	
Pin Punches					
2.0	165	1	M706 0200	9311963569536	M706
3.0	175	1	M706 0300	9311963569543	
4.0	185	1	M706 0400	9311963569550	
5.0	200	1	M706 0500	9311963569567	
6.0	200	1	M706 0600	9311963569574	
8.0	210	1	M706 0800	9311963569581	
10.0	220	1	M706 1000	9311963569598	
12.0	230	1	M706 1200	9311963569604	
Set (2, 3, 4, 5, 6mm)		5	M706 0005	9311963569611	
Taper Punches					
2.0	165	1	M708 0200	9311963569710	M708
3.0	175	1	M708 0300	9311963569727	
4.0	185	1	M708 0400	9311963569734	
5.0	185	1	M708 0500	9311963569741	
6.0	185	1	M708 0600	9311963569758	
8.0	185	1	M708 0800	9311963569765	
10.0	185	1	M708 1000	9311963569772	
12.0	185	1	M708 1200	9311963569789	
Set (2, 3, 4, 5, 6mm)		5	M708 0005	9311963569796	
Cold Chisels					
10	165	1	M710 1000	9311963569888	M710
12	165	1	M710 1200	9311963569895	
16	175	1	M710 1600	9311963569901	
19	175	1	M710 1900	9311963569918	
22	190	1	M710 2200	9311963569925	
25	210	1	M710 2500	9311963569932	
Set (10, 12, 16, 19, 25mm)		5	M710 0005	9311963569949	
Bolsters with Hand Guard					
Electrician 57 x 19mm	225	1	M713 5719	9311963569970	M713
Brick 75 x 19mm	225	1	M713 7519	9311963569987	
Brick 100 x 22mm	225	1	M713 10022	9311963569994	



Centre Punch
Typically used as an aid to drilling operations. A drill will have a tendency to wander on the surface until it gains sufficient purchase to start cutting a hole.



Nail Punch
A nail punch is a short steel rod, usually tapered; used to drive a nail or brad below, or flush with, a wood surface.



Pin Punch
A pin punch is used as a driving tool, typically, as the name implies, to drive pins that are used to affix a fixture to a rotating shaft.



Taper Punch
A taper punch is used as an aid in aligning bolt or rivet holes prior to inserting a fastener.



Cold Chisel
A cold chisel is a tool made of tempered steel used for cutting 'cold' metals and are not used in conjunction with heat. Cold chisels are used to remove waste metal when a very smooth finish is not required.

suttontools

Adjustable Reamers are good general purpose tools suitable for tool rooms and workshop use. They will produce a clean accurate hole with adjustable size control. Carbon Steel blades.

Size is obtained by progressive light cuts approx 0.05mm per pass.

Application

DIY
Trade
Automotive
Machine Shop
MRO



Discount Group: B0304

Size	Range mm	Range inch	Reamer		Blade Sets		Pilots		Nuts	
			Item #	Price	Item #	Price	Item #	Price	Item #	Price
			R109		R110		R111		R112	
MA8	6.35 – 7.15	1/4 – 9/32	R109 0635							
MA7	7.15 – 7.95	9/32 – 5/16	R109 0715							
MA6	7.95 – 8.70	5/16 – 11/32	R109 0795							
MA5	8.70 – 9.50	11/32 – 3/8	R109 0870							
MA4	9.50 – 10.25	3/8 – 13/32	R109 0950							
MA3	10.25 – 11.00	13/32 – 7/16	R109 1025							
MA2	11.00 – 12.00	7/16 – 15/32	R109 1100							
MA	12.00 – 13.50	15/32 – 17/32	R109 1200		R110 1200		R111 1200		R112 1200	
MB	13.50 – 15.00	17/32 – 19/32	R109 1350		R110 1350		R111 1350		R112 1350	
MC	15.00 – 16.75	19/32 – 21/32	R109 1500		R110 1500		R111 1500		R112 1500	
MD	16.75 – 18.25	21/32 – 23/32	R109 1675		R110 1675		R111 1675		R112 1675	
ME	18.25 – 19.75	23/32 – 25/32	R109 1825		R110 1825		R111 1825		R112 1825	
MF	19.75 – 21.50	25/32 – 27/32	R109 1975		R110 1975		R111 1975		R112 1975	
MG	21.50 – 23.75	27/32 – 15/16	R109 2150		R110 2150		R111 2150		R112 2150	
MH	23.75 – 27.00	15/16 – 1-1/16	R109 2375		R110 2375		R111 2375		R112 2375	
MI	27.00 – 30.25	1-1/16 – 1-3/16	R109 2700		R110 2700		R111 2700		R112 2700	
MJ	30.25 – 34.25	1-3/16 – 1-11/32	R109 3025		R110 3025		R111 3025		R112 3025	
MK	34.25 – 38.00	1-11/32 – 1-1/2	R109 3425		R110 3425		R111 3425		R112 3425	
ML	38.00 – 46.00	1-1/2 – 1-13/16	R109 3800		R110 3800		R111 3800		R112 3800	
MM	46.00 – 56.00	1-13/16 – 2-7/32	R109 4600		R110 4600				R112 4600	
MN	56.00 – 69.75	2-7/32 – 2-3/4	R109 5600		R110 5600				R112 5600	
MO	69.75 – 85.00	2-3/4 – 3-11/32	R109 6975		R110 6975				R112 6975	
Adjustable Reamer Set – Metal Case			Pieces							
M1	MA4 to ME (Reamers Only)		8	R109 M1						
M2P	MA to MH (Reamers & Pilots)		16	R109 M2P						
M3	MA4 to MH (Reamers Only)		11	R109 M3						
M6	MA8 to MK (Reamers Only)		18	R109 M6						
M8	MA to MI (Reamers Only)		9	R109 M8						
Adjustable Reamer Pilot Set										
MA1	MA to MI (Pilots Only)		9				R111 MA1			



MA1



M8



suttontools

90° Countersink - HSS

For countersinking screw holes in steel, tool steel, stainless steel, cast iron, brass and aluminium. For use in portable and pedestal drilling machines.

Made from HSS
Offering the best combination of strength, heat & wear resistance



Discount Group: A1106

Size	Range	Item #	Barcode	Price
90° Countersink - High Speed Steel		C109		
12.7	2.8 – 12.7	C109 0127	9311963123714	



C109 0127



Made from High Speed Steel for use in steel, tool steel, stainless steel, cast iron, brass & aluminium. Can be used in portable & pedestal drilling machines.

90° Cross Hole
For removing burrs



Made from M2 HSS
Offering the best combination of strength, heat & wear resistance



90° Three Flute
Made to DIN335 specifications, for countersinking/counterboring screw holes

Discount Group: A1106

Size	Range	Length	Shank	Item #	Barcode	Price
Countersinks						
8.3	2.0 – 8.3	50	6	107CS0083	9311744437412	
12.4	2.8 – 12.4	56	8	107CS0124	9311744437429	
20.5	3.5 – 20.5	63	10	107CS0205	9311744437436	
3pce HSS Countersink Set				107CS0003	9311744439782	
Deburring						
5 – 10	5 – 10	48	8	107CD0510	9311744437443	
10 – 15	10 – 15	65	10	107CD1015	9311744437450	
15 – 20	15 – 20	84	12	107CD1520	9311744437467	



107CS0003



107CD1520



Made from Carbon Steel
For timber use



Carbide Tipped
For longer tool life in installation of cupboard hinges



Discount Group: A1106

Size	Range	Item #	Barcode	Price
Carbon Steel (timber use only)				
3 pce Set		92296	9312621922960	
Forstner Bit Hinge Cutter (A1302)				
35mm		92262	9312621922625	



92262



92296

WORKSHOP



For those who are **PASSIONATE** about their workshop

Your home workshop or shed setup is not complete without the P&N Workshop Range. Whether you are an engineer, tradesman or a serious DIY'er, the Workshop Range is your perfect choice. The Workshop Range of tools will cater for any job you need to get done.

Look for the Workshop Range's distinctive blue and silver colour packaging when selecting your tools.



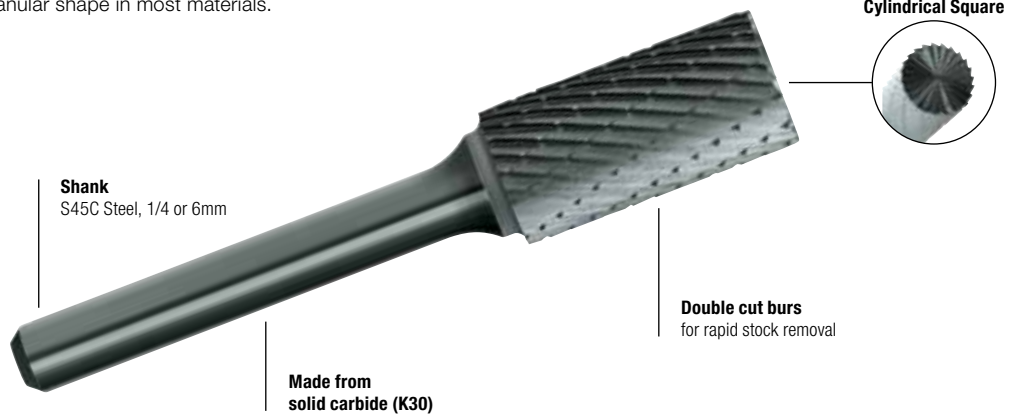
P&N[®]

Miscellaneous Carbide Burs



For shaping or forming metal, to use in air & electric die grinders.
 Double Cut: Allows for rapid stock removal in harder materials.
 The chisel tooth pattern not only minimises tool chatter but reduces the chip to a granular shape in most materials.

Aluminium Cut: This flute pattern is recommended for rapid material removal of aluminium and other soft materials such as brass, copper & plastics



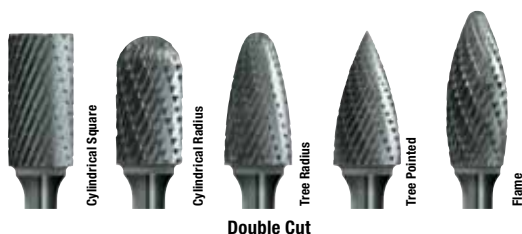
Discount Group: B0102

Size	Length	Shank	Item #	Barcode	Price
1/4" Shank					
Cylindrical (Square)					
6.35mm	16mm	1/4	918CS0616S	9311744437122	
8mm	20mm	1/4	918CS0820S	9311744437139	
12mm	25mm	1/4	918CS1225S	9311744437146	
Cylindrical (Radius)					
6.35mm	16mm	1/4	918CR0616S	9311744437153	
10mm	20mm	1/4	918CR1020S	9311744437160	
12mm	25mm	1/4	918CR1225S	9311744437177	
Tree (Radius)					
6.35mm	16mm	1/4	918TR0618S	9311744437184	
10mm	20mm	1/4	918TR1020S	9311744437191	
12mm	25mm	1/4	918TR1225S	9311744437207	
Tree (Pointed)					
6.35mm	16mm	1/4	918TP0618S	9311744437214	
10mm	20mm	1/4	918TP1020S	9311744437221	
12mm	25mm	1/4	918TP1225S	9311744437238	
Flame					
6.35mm	16mm	1/4	918FM0618S	9311744438075	
8mm	20mm	1/4	918FM0820S	9311744438082	
12mm	30mm	1/4	918FM1230S	9311744438099	
5 Piece Set					
12mm x Cylindrical (Square), Cylindrical (Radius), Tree (Radius), Tree (Pointed) & Flame			918CRSET5S	9311744438112	

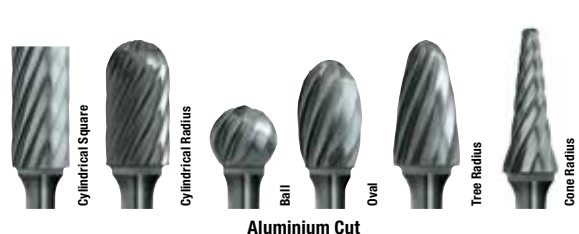
Size	Length	Shank	Item #	Barcode	Price
6mm Shank					
Cylindrical (Square)					
6.35mm	16mm	6mm	918CS06166	9311744437566	
8mm	20mm	6mm	918CS08206	9311744437573	
12mm	25mm	6mm	918CS12256	9311744437580	
Cylindrical (Radius)					
6.35mm	16mm	6mm	918CR06166	9311744437597	
10mm	20mm	6mm	918CR10206	9311744437603	
12mm	25mm	6mm	918CR12256	9311744437610	
Tree (Radius)					
6.35mm	16mm	6mm	918TR06186	9311744437627	
10mm	20mm	6mm	918TR10206	9311744437634	
12mm	25mm	6mm	918TR12256	9311744437641	
Tree (Pointed)					
6.35mm	16mm	6mm	918TP06186	9311744437658	
10mm	20mm	6mm	918TP10206	9311744437665	
12mm	25mm	6mm	918TP12256	9311744437672	
Flame					
6.35mm	16mm	6mm	918FM06186	9311744438044	
8mm	20mm	6mm	918FM08206	9311744438051	
12mm	30mm	6mm	918FM12306	9311744438068	
5 Piece Set					
12mm x Cylindrical (Square), Cylindrical (Radius), Tree (Radius), Tree (Pointed) & Flame			918CRSET5M	9311744438105	

Description	Size	Length	Shank	Item #	Barcode	Price
Aluminium Cut						
Cyl (Sq)	10mm	19mm	1/4	968CS1020S	9311744439638	
Cyl (Rad)	10mm	19mm	1/4	968CR1020S	9311744439621	
Ball	10mm	-	1/4	968BA1010S	9311744439607	
Oval	10mm	15mm	1/4	968OV1015S	9311744439645	
Tree (Radius)	12mm	28mm	1/4	968TR1228S	9311744439652	
Cone (Rad)	10mm	27mm	1/4	968CN1027S	9311744439614	

Cutting Speed Chart (RPM)		
Diameter	Double Cut	AI Cut
Ø 6.35mm	22,000 RPM	30,000 RPM
Ø 8mm	20,000 RPM	25,000 RPM
Ø 10mm	18,000 RPM	20,000 RPM
Ø 12mm	16,000 RPM	15,000 RPM



Double Cut



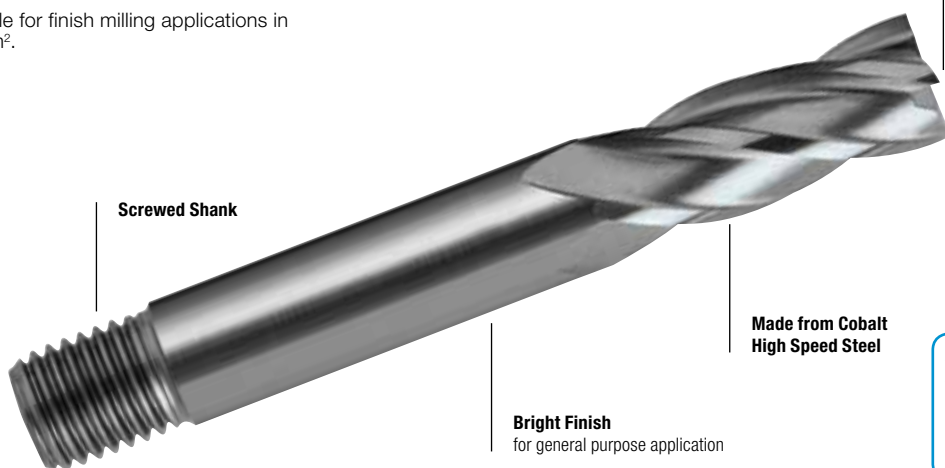
Aluminium Cut

Miscellaneous Endmills



4 flute endmills are suitable for finish milling applications in materials up to 850 N/mm².

Centre Cutting



Application

Trade
Metalworker
Machine Shop
MRO

Discount Group: B0602

Diameter	O/A Length	Flute Length	Shank	Item #	Barcode	Price
Metric						
3.0mm	54	9.5	6	5523539	9312621807878	
4.0mm	57	12.5	6	5523557	9312621807885	
5.0mm	60.5	16	6	5523575	9312621807892	
6.0mm	60.5	16	6	5523593	9312621807908	
8.0mm	63.5	18	10	5523637	9312621807915	
10.0mm	66.5	21	10	5523673	9312621807922	
12.0mm	70	24	12	5523717	9312621807939	
14.0mm	73	28.5	12	5523735	9312621807946	
16.0mm	77	26.5	16	5523753	9312621807953	
18.0mm	80	35	16	5523771	9312621807960	
20.0mm	83.5	38	16	5523799	9312621807977	
4 Piece Set – 6, 8, 10 & 12mm				5523994	9311744439485	
Imperial						
1/8	2-1/8	3/8	1/4	5510520	9312621806413	
3/16	2-1/4	1/2	1/4	5510548	9312621806437	
1/4	2-3/8	5/8	1/4	5510566	9312621806451	
5/16	2-1/2	3/4	3/8	5510584	9312621806475	
3/8	2-5/8	7/8	3/8	5510600	9312621806499	
7/16	2-5/8	7/8	1/2	5510628	9312621806512	
1/2	2-3/4	1	1/2	5510646	9312621806529	
9/16	2-7/8	1-1/8	1/2	5510664	9312621806536	
5/8	3	1-1/4	5/8	5510682	9312621806543	
3/4	3-1/4	1-1/2	5/8	5510726	9312621806567	

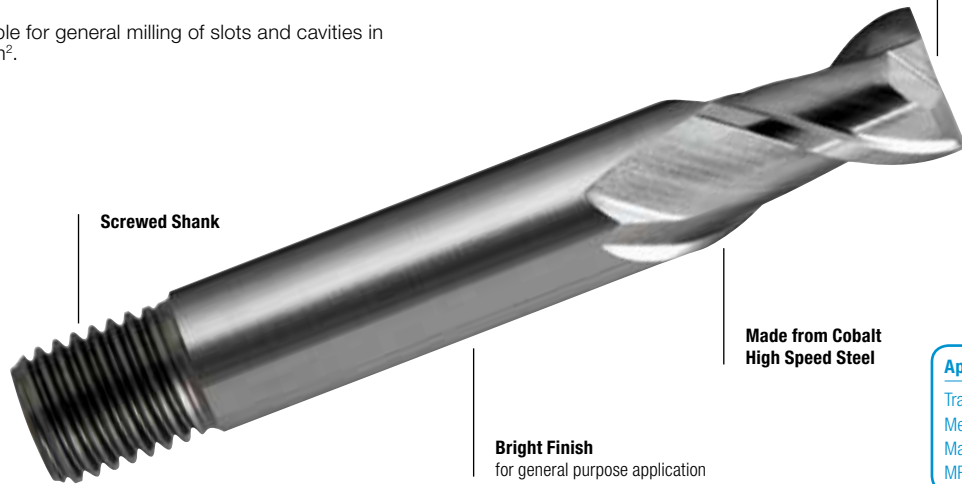
Recommended Cutting Speeds

Size	Steel		Stainless Steel		Cast Iron		Brass		Aluminium	
	Speed (RPM)	Feed (mm/min)	Speed (RPM)	Feed (mm/min)	Speed (RPM)	Feed (mm/min)	Speed (RPM)	Feed (mm/min)	Speed (RPM)	Feed (mm/min)
Metric										
3.0mm	3180	80	1060	15	2120	35	3180	80	5310	160
4.0mm	2390	85	800	15	1590	40	2390	85	3980	160
5.0mm	1910	85	640	15	1270	40	1910	85	3180	165
6.0mm	1590	85	530	15	1060	40	1590	85	2650	170
8.0mm	1190	90	400	20	800	45	1190	90	1990	175
10.0mm	950	90	320	20	640	45	950	90	1590	180
12.0mm	800	95	270	20	530	45	800	95	1330	180
14.0mm	680	95	230	20	450	45	680	90	1140	180
16.0mm	600	95	200	20	400	45	600	95	990	180
18.0mm	530	95	180	20	350	45	530	95	880	180
20.0mm	480	95	160	20	320	45	480	95	800	180
Imperial										
1/8	3010	80	1000	15	2010	35	3010	80	5010	160
3/16	2010	85	670	15	1340	40	2010	85	3340	165
1/4	1500	85	500	15	1000	40	1500	85	2510	170
5/16	1200	90	400	20	800	45	1200	90	2010	175
3/8	1000	90	330	20	670	45	1000	90	1670	180
7/16	860	90	290	20	570	45	860	90	1430	180
1/2	750	95	250	20	500	45	750	90	1250	180
9/16	670	95	220	20	450	45	670	90	1110	180
5/8	600	95	200	20	400	45	600	90	1000	180
3/4	500	95	170	20	330	45	500	90	840	180

Miscellaneous Slot Drills



2 flute slot drills are suitable for general milling of slots and cavities in materials up to 850 N/mm².



Centre Cutting

Screwed Shank

Made from Cobalt High Speed Steel

Bright Finish
for general purpose application

Application

- Trade
- Metalworker
- Machine Shop
- MRO

Discount Group: B0620

Diameter	O/A Length	Flute Length	Shank	Item #	Barcode	Price
Metric						
2.0mm	49	3	6	5519515	9312621807465	
3.0mm	51	7.5	6	5519533	9312621807472	
4.0mm	52.5	9.5	6	5519551	9312621807489	
5.0mm	52.5	9.5	6	5519579	9312621807496	
6.0mm	56.5	11	6	5519597	9312621807502	
8.0mm	59.5	12.5	10	5519631	9312621807519	
10.0mm	60.5	14.5	10	5519677	9312621807533	
12.0mm	66.5	19	12	5519711	9312621807557	
14.0mm	68.5	22	12	5519739	9312621807571	
16.0mm	72	22	16	5519757	9312621807595	
18.0mm	74	24	16	5519775	9312621807618	
20.0mm	77	25.5	16	5519793	9312621807632	
4 Piece Set – 6, 8, 10 & 12mm				5519994	9311744439492	
Imperial						
1/8	2	3/16	1/4	5505546	9312621805324	
3/16	2-1/8	9/32	1/4	5505582	9312621805348	
1/4	2-1/8	3/8	1/4	5505626	9312621805362	
5/16	2-5/16	1/2	3/8	5505662	9312621805386	
3/8	2-3/8	9/16	3/8	5505706	9312621805409	
7/16	2-9/16	11/16	1/2	5505742	9312621805423	
1/2	2-5/8	3/4	1/2	5505788	9312621805430	
9/16	2-11/16	7/8	1/2	5505804	9312621805447	
5/8	2-13/16	7/8	5/8	5505822	9312621805454	
3/4	3	1	5/8	5505868	9312621805478	

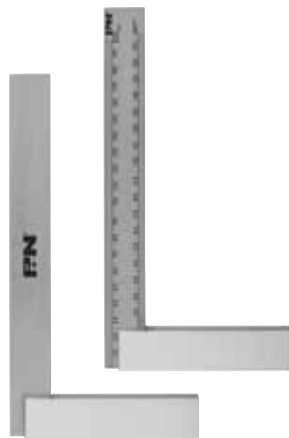
Recommended Cutting Speeds

Size	Steel		Stainless Steel		Cast Iron		Brass		Aluminium	
	Speed (RPM)	Feed (mm/min)	Speed (RPM)	Feed (mm/min)	Speed (RPM)	Feed (mm/min)	Speed (RPM)	Feed (mm/min)	Speed (RPM)	Feed (mm/min)
Metric										
2.0mm	3980	30	1270	8	2710	10	3980	30	7960	65
3.0mm	2650	30	850	8	1800	15	2650	35	5310	65
4.0mm	1990	35	640	10	1350	15	1990	35	3980	70
5.0mm	1590	35	510	10	1080	15	1590	35	3180	70
6.0mm	1330	35	420	10	900	15	1330	35	2650	70
8.0mm	990	40	320	10	680	20	990	40	1990	75
10.0mm	800	40	250	10	540	20	800	40	1590	75
12.0mm	660	40	210	10	450	20	660	40	1330	75
14.0mm	570	40	180	10	390	20	570	40	1140	75
16.0mm	500	40	160	10	340	20	500	40	990	75
18.0mm	440	40	140	10	300	20	440	40	880	75
20.0mm	400	40	130	10	270	20	400	40	800	75
Imperial										
1/8	2510	30	800	8	1700	15	2510	35	5010	65
3/16	1670	35	530	10	1140	15	1670	35	3340	70
1/4	1250	35	400	10	850	15	1250	35	2510	70
5/16	1000	40	320	10	680	20	1000	40	2010	75
3/8	840	40	270	10	570	20	840	40	1670	75
7/16	720	40	230	10	490	20	720	40	1430	75
1/2	630	40	200	10	430	20	630	40	1250	75
9/16	560	40	180	10	380	20	560	40	1110	75
5/8	500	40	160	10	340	20	500	40	1000	75
3/4	420	40	130	10	280	20	420	40	840	75



Engineer Ruler

- Made from stainless steel
- mm and 0.5mm graduations
- Conversion charts on the back of the ruler



Engineer Squares

- Made from stainless steel
- Carbon steel handle
- Precision 90°
- Plain type and 1mm graduations (option)



Engineers Scribers

- Made from stainless steel
- Knurled aluminium handle
- Tungsten carbide point (267M06041)
- Convenient pocket clip (267M06041)



Inside Caliper

- Made from high carbon steel
- Quick adjustable screw bar
- Easy hold handle on top



Outside Caliper

- Made from high carbon steel
- Quick adjustable screw bar
- Easy hold handle on top



Spring Divider

- Made from high carbon steel
- Quick adjustable screw bar
- Easy hold handle on top



Auto Centre Punch

- Made from brass
- Spring loaded, no hammer required



Magnetic Pick-Up Set

Two colour driver handle with quick chuck & 4mm driver, 90mm full hook, 90mm angle hook, 90mm straight hook, 90mm 90° hook and magnetic telescopic pick-up tool



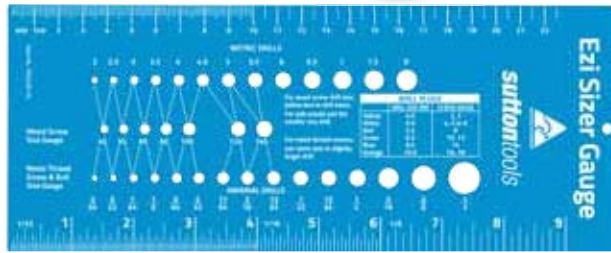
Combination Square 3 in 1

- Made from stainless steel
- Mitre square, spirit level, plumb level, 45° level, height gauge, steel rule, straight edge and scriber



suttontools

For measuring gauge and length of wood, self tapping metal thread screws, bolts, wall plugs & drill sizes.



Discount Group: Z1001

Description	Item #	Barcode	Price
M810			
Ezi Sizer Gauge	M810 0110	9311963171258	

M810 0110



Precision engineering tools. Presented in double blister packaging.



267SR1006



267MTQ206



267MTQ306



267MTQ106

Discount Group: Z1001

Description	Size	Item #	Barcode	Price
Engineer Rulers				
Precision Engineer Ruler	150mm	267MS1015	9311744438631	
Precision Engineer Ruler	300mm	267MS1030	9311744438648	
Precision Engineer Ruler	600mm	267MS1060	9311744438655	
Precision Engineer Ruler	1000mm	267MS1100	9311744438662	
Engineer Squares				
Precision Engineer Square	100mm	267SR1004	9311744438556	
Precision Engineer Square	150mm	267SR1006	9311744438563	
Precision Engineer Square	200mm	267SR1008	9311744438570	
Precision Engineer Square Graduated	100mm	267SG1004	9311744438587	
Precision Engineer Square Graduated	150mm	267SG1006	9311744438594	
Precision Engineer Square Graduated	200mm	267SG1008	9311744438600	
Calipers				
Inside Caliper	150mm	267MTQ306	9311744438457	
Inside Caliper	200mm	267MTQ308	9311744438464	
Outside Caliper	150mm	267MTQ206	9311744438471	
Outside Caliper	200mm	267MTQ208	9311744438488	
Spring Dividers				
Spring Divider	100mm	267MTQ104	9311744438495	
Spring Divider	150mm	267MTQ106	9311744438501	
Spring Divider	200mm	267MTQ108	9311744438518	
Engineers Scribers				
Engineers Scriber Double End 90° Bend Point	270mm	267M06020	9311744438525	
Engineers Scriber Double End Hook Point	270mm	267M06021	9311744438532	
Engineers Scriber Tungsten Tip	150mm	267M06041	9311744438549	
Miscellaneous				
Centre Punch Auto Brass	125mm	267AP1125	9311744438617	
Quick Change Magnetic Pick-Up Set		267QM0550	9311744438440	
Combination Square 3 in 1	300mm	267CS3030	9311744438624	



267AP1125



267QM0550



267CS3030

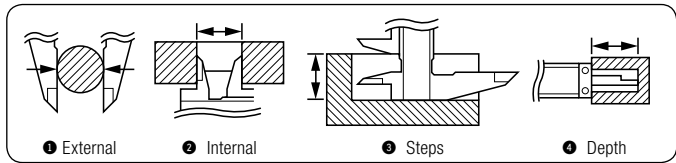
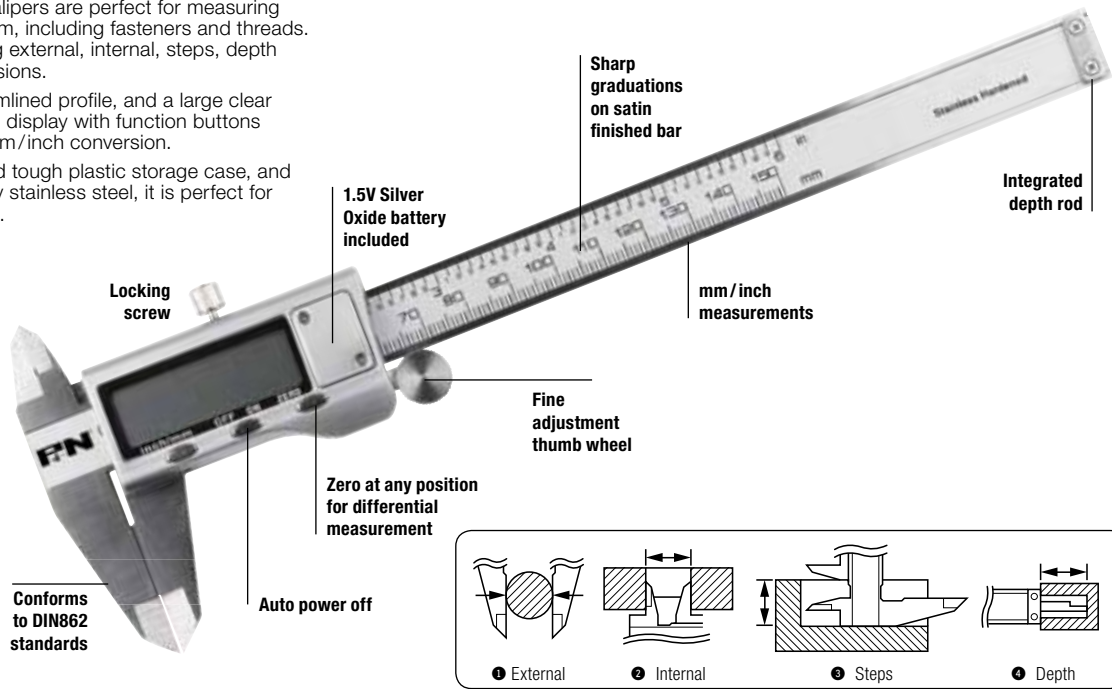
Miscellaneous Measuring Tools - Digital Caliper



P&N Digital Vernier Calipers are perfect for measuring any small space or item, including fasteners and threads. Suitable for measuring external, internal, steps, depth and differential dimensions.

Featuring a slim streamlined profile, and a large clear and easy-to-read LCD display with function buttons for zero setting and mm/inch conversion.

Presented in a padded tough plastic storage case, and made from heavy duty stainless steel, it is perfect for any trade professional.



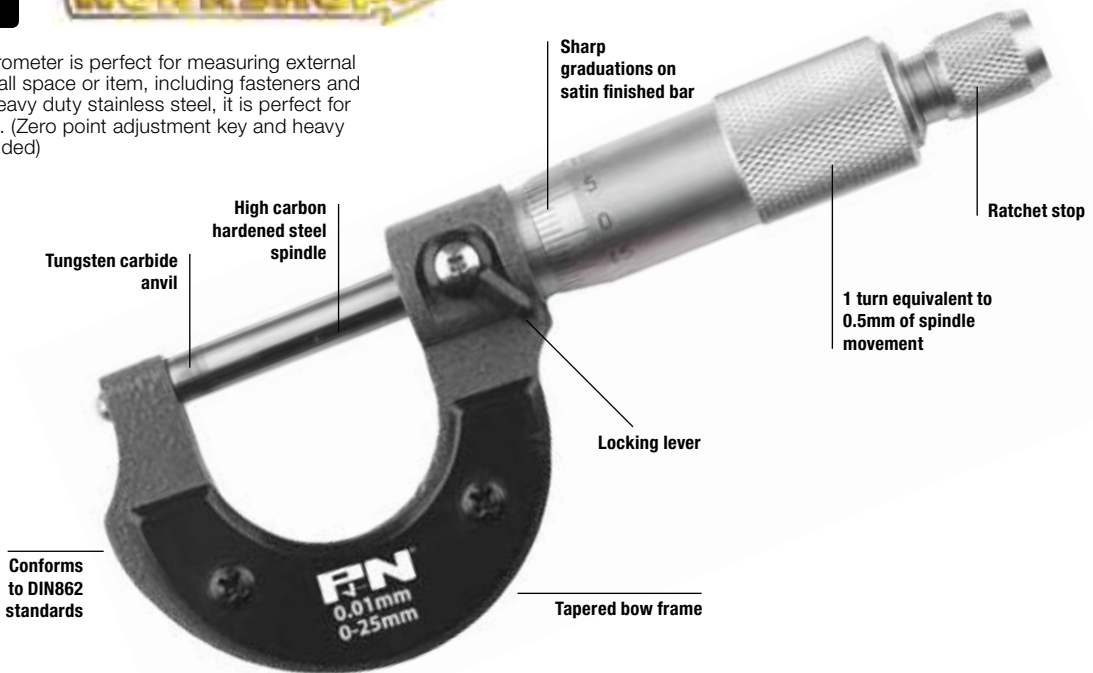
Discount Group: Z1001

Description	Range	Depth - Outside Jaw	Depth - Inside Jaw	Item #	Barcode	Price
Digital Vernier Caliper	0-150mm	40mm	16mm	267VCD150	9311744439829	

Miscellaneous Measuring Tools - Outside Micrometer



The P&N Outside Micrometer is perfect for measuring external dimensions of any small space or item, including fasteners and threads. Made from heavy duty stainless steel, it is perfect for any trade professional. (Zero point adjustment key and heavy duty plastic case included)



Discount Group: Z1001

Description	Range	Spindle Ø	Item #	Barcode	Price
Outside Micrometer	0-25mm	6.5mm	267MCS025	9311744439843	



Engineers Flat

For flat and curved external surfaces. Designed for smoothing, removing burrs and sharp edges.



Discount Group: Z0402

Length	Bulk Qty	Bastard		2nd Cut		Smooth		Bastard		2nd Cut		Smooth	
		Item #	Price	Item #	Price	Item #	Price	Item #	Price	Item #	Price	Item #	Price
		Bulk / Unhandled						Single Pack / Handled					
150	12	300AC0061		300AC0062		300AC0063		300AC1061		300AC1062			
200	12	300AC0081		300AC0082		300AC0083		300AC1081		300AC1082		300AC1083	
250	12	300AC0101		300AC0102		300AC0103		300AC1101		300AC1102		300AC1103	
300	6	300AC0121		300AC0122		300AC0123		300AC1121		300AC1122		300AC1123	
350	6	300AC0141											



Engineers Half Round

Multi-purpose file for use on concave surfaces and crevices and the rounding out of holes.



Discount Group: Z0402

Length	Bulk Qty	Bastard		2nd Cut		Smooth		Bastard		2nd Cut		Smooth	
		Item #	Price	Item #	Price	Item #	Price	Item #	Price	Item #	Price	Item #	Price
		Bulk / Unhandled						Single Pack / Handled					
150	12	300AE0061		300AE0062		300AE0063							
200	12	300AE0081		300AE0082		300AE0083		300AE1081		300AE1082		300AE1083	
250	12	300AE0101		300AE0102		300AE0103		300AE1101		300AE1102			
300	6	300AE0121		300AE0122				300AE1121		300AE1122			
350	6	300AE0141		300AE0142									



Engineers Square

For filing slots, keyways, splines and the inside corners of rectangular or square holes.



Discount Group: Z0402

Length	Bulk Qty	Bastard		2nd Cut		Smooth		Bastard		2nd Cut		Smooth	
		Item #	Price	Item #	Price	Item #	Price	Item #	Price	Item #	Price	Item #	Price
		Bulk / Unhandled						Single Pack / Handled					
150	12	300AJ0061		300AJ0062				300AJ1061					
200	12	300AJ0081		300AJ0082				300AJ1081					
250	12	300AJ0101		300AJ0102				300AJ1101					



Engineers Round

For filing and enlarging holes, circular or rounded grooves.



Discount Group: Z0402

Length	Bulk Qty	Bastard		2nd Cut		Smooth		Bastard		2nd Cut		Smooth	
		Item #	Price	Item #	Price	Item #	Price	Item #	Price	Item #	Price	Item #	Price
		Bulk / Unhandled						Single Pack / Handled					
100	12	300AG0041		300AG0042		300AG0043							
150	12	300AG0061		300AG0062		300AG0063		300AG1061					
200	12	300AG0081		300AG0082		300AG0083		300AG1081					
250	12	300AG0101		300AG0102		300AG0103		300AG1101				300AG1103	
300	6	300AG0121		300AG0122		300AG0123		300AG1121				300AG1123	



1 Edge Round Mill

For sharpening saws and other tools that require a fine finish. The round edge also allows the filing of saw gullets.



Discount Group: Z0402

Length	Bulk Qty	Bastard		2nd Cut		Smooth		Bastard		2nd Cut		Smooth	
		Item #	Price	Item #	Price	Item #	Price	Item #	Price	Item #	Price	Item #	Price
		Bulk / Unhandled						Single Pack / Handled					
200	12	300CC0081						300CC1081					
250	12	300CC0101						300CC1101					
300	6	300CC0121						300CC1121					



2 Edge Square Mill

For sharpening saws and other tools that require a fine finish.



Discount Group: Z0402

Length	Bulk Qty	Bastard		2nd Cut		Smooth		Bastard		2nd Cut		Smooth	
		Item #	Price	Item #	Price	Item #	Price	Item #	Price	Item #	Price	Item #	Price
		Bulk / Unhandled						Single Pack / Handled					
150	12	300CA0061						300CA1061					
200	12	300CA0081						300CA1081					
250	12	300CA0101		300CA0102				300CA1101					
300	6	300CA0121		300CA0122				300CA1121					



3 Edge Square Mill

For sharpening saws and other tools that require a fine finish.



Discount Group: Z0402

Length	Bulk Qty	Bastard		2nd Cut		Smooth		Bastard		2nd Cut		Smooth	
		Item #	Price	Item #	Price	Item #	Price	Item #	Price	Item #	Price	Item #	Price
		Bulk / Unhandled											
150	12	300BA0061		300BA0062		300BA0063							
200	12	300BA0081		300BA0082		300BA0083							
250	12	300BA0101		300BA0102		300BA0103							



Slim Taper

For sharpening saws with a 60° tooth angle.



Discount Group: Z0402

Length	Bulk Qty	Bastard		2nd Cut		Smooth		Bastard		2nd Cut		Smooth	
		Item #	Price	Item #	Price	Item #	Price	Item #	Price	Item #	Price	Item #	Price
		Bulk / Unhandled						Single Pack / Handled					
100	12	300BE0040						300BE1040					
150	12	300BE0060						300BE1060					
200	12	300BE0080						300BE1080					



Chainsaw Files

For sharpening chainsaws. Matched to specific chain sizes, the round edge allows the filing of saw gullets.



Discount Group: Z0402

Length	Bulk Qty	Bastard		2nd Cut		Smooth		Bastard		2nd Cut		Smooth	
		Item #	Price	Item #	Price	Item #	Price	Item #	Price	Item #	Price	Item #	Price
Bulk / Unhandled													
1/8	12	300DA0460											
5/32	12	300DA0580						300DA1580					
3/16	12	300DA0680						300DA1680					
7/32	12	300DA0780						300DA1780					
1/4	12	300DA0880						300DA1880					
Single Pack / Handled													



Warding Files

For narrow slots, toolmaking and hobby applications.



Discount Group: Z0402

Length	Bulk Qty	Bastard		2nd Cut		Smooth		Bastard		2nd Cut		Smooth	
		Item #	Price	Item #	Price	Item #	Price	Item #	Price	Item #	Price	Item #	Price
Bulk / Unhandled													
150	12	300AH0061		300AH0062		300AH0063		300AH1061					
200	12	300AH0081		300AH0082		300AH0083							
Single Pack / Handled													



Mill Long Angle Lathe Files

Rapid, free cutting files designed for lathe filing.



Discount Group: Z0402

Length	Bulk Qty	Bastard		2nd Cut		Smooth		Bastard		2nd Cut		Smooth	
		Item #	Price	Item #	Price	Item #	Price	Item #	Price	Item #	Price	Item #	Price
Bulk / Unhandled													
300	6	300AL0121											

Sets

Compact storage ideal for your tool box or workshop.

Discount Group: Z0402

Contents	Case	Pieces	Item #	Price
Bastard File Set Flat, Half Round, Round, Square x 200mm	Foam Tray	4	300SET004	
Needle File Set File Handle, Warding-flat, Three Square, Flat, Square, Round, Half Round x 160mm	Plastic	7	386911607	



Bastard file set



Needle file set



Wood Rasp Half Round

Multi-purpose rasp for use on concave surfaces and crevices, and the rounding out of holes.



Discount Group: Z0402

Length	Bulk Qty	Bastard		2nd Cut		Smooth		Bastard		2nd Cut		Smooth	
		Item #	Price	Item #	Price	Item #	Price	Item #	Price	Item #	Price	Item #	Price
		Bulk / Unhandled						Single Pack / Handled					
200	12	300EA0081						300EA1081					
250	12	300EA0101						300EA1101					
300	6	300EA0121						300EA1121					



Bastard-Cabinet Rasp

Punched teeth for rapid removal of soft materials – wood, soft plastics, fibreglass, soft metals. Gives finer finish than wood rasp.



Discount Group: Z0402

Length	Bulk Qty	Bastard		2nd Cut		Smooth		Bastard		2nd Cut		Smooth	
		Item #	Price	Item #	Price	Item #	Price	Item #	Price	Item #	Price	Item #	Price
		Bulk / Unhandled						Single Pack / Handled					
200	12	300EC0081						300EC1081					
250	12	300EC0101						300EC1101					



Horse Rasp

Double ended, rasp teeth on one side, file teeth on other. Ideal for shoeing racetrack and riding horses.



Discount Group: Z0402

Length	Bulk Qty	Bastard		2nd Cut		Smooth		Bastard		2nd Cut		Smooth	
		Item #	Price	Item #	Price	Item #	Price	Item #	Price	Item #	Price	Item #	Price
		Bulk / Unhandled											
350	6	300EH0141											

Handles (Bulk)

Economy range. Designed to suit the complete range of P&N Files.



File Length	Qty	Item #	Barcode	Price
Bulk				
100	12	300H00004	9311744156610	
150	12	300H00006	9311744156627	
200	12	300H00008	9311744156634	
250	12	300H00010	9311744156641	
300	12	300H00012	9311744156658	

Handles (Packaged)

Soft grip. Designed to suit the complete range of P&N Files.



File Length	Qty	Item #	Barcode	Price
Hang Pack				
100	1	300SGK003	9311744436859	
150	1	300SGK004	9311744436866	
200-250	1	300SGK005	9311744436873	
300	1	300SGK006	9311744436880	

Discount Group: Z0402

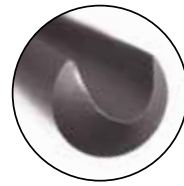
Miscellaneous Wood Turning Tools



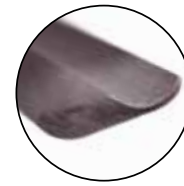
A.



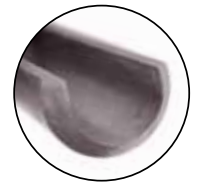
B.



C.



D.



E.

Spindle Gouges (A)

Heavy duty machined from solid M2 HSS with extra-long, shallow open flute for long tool life. Used in general between centre work.



Discount Group: Z0902

Size	Flute Length	Item #	Barcode	Price
Handled				
6mm	60	7600006	9312621860002	
8mm	95	7600008	9312621860019	
10mm	125	7600010	9312621860026	
12mm	150	7600012	9312621860033	
16mm	150	7600016	9312621860040	
19mm	150	7600019	9312621860057	

Size	Flute Length	Item #	Barcode	Price
Unhandled				
6mm	60	7605006	9312621860378	
8mm	95	7605008	9312621860385	
10mm	125	7605010	9312621860392	
12mm	150	7605012	9312621860408	
16mm	150	7605016	9312621860415	
19mm	150	7605019	9312621860422	

Bowl Gouges (B)

Heavy duty, machined from M2 HSS. Deep "V" shaped flute provides strength and excellent control for vibration free bowl turning.



Discount Group: Z0902

Size	Flute Length	Item #	Barcode	Price
Handled				
6mm	60	7600106	9312621860064	
8mm	95	7600108	9312621860071	
10mm	125	7600110	9312621860088	
12mm	150	7600112	9312621860095	
16mm	150	7600116	9312621860101	

Size	Flute Length	Item #	Barcode	Price
Unhandled				
6mm	60	7605106	9312621860439	
8mm	95	7605108	9312621860446	
10mm	125	7605110	9312621860453	
12mm	150	7605112	9312621860460	
16mm	150	7605116	9312621860477	

Supa Gouges (C)

Extra heavy duty, machined from solid M2 HSS. with special "U" shaped extra length flute for producing bowls and general spindle work.



Discount Group: Z0902

Size	Flute Length	Item #	Barcode	Price
Handled				
16mm	185	7600118	9312621878021	
22mm	185	7600120	9312621860118	

Size	Flute Length	Item #	Barcode	Price
Unhandled				
16mm	185	7605117	9312621878113	
22mm	185	7605118	9312621878120	

Detail Gouges (D)

Extra heavy duty, machined from solid M2 HSS. Extra length shallow flute, is ideal for producing coves and beads.



Discount Group: Z0902

Size	Flute Length	Item #	Barcode	Price
Handled				
8mm	150	7600809	9312621878076	
10mm	150	7600818	9312621878083	
12mm	150	7600827	9312621878090	
16mm	150	7600836	9312621878106	

Size	Flute Length	Item #	Barcode	Price
Unhandled				
8mm	150	7605809	9312621878144	
10mm	150	7605818	9312621878151	
12mm	150	7605827	9312621878168	
16mm	150	7605836	9312621878175	

Roughing Gouges (E)

Extra heavy duty, machined from M2 HSS. Available in 25 and 32mm diameters used for general roughing out of work.



Discount Group: Z0902

Size	Flute Length	Item #	Barcode	Price
Handled				
25mm	147	7600125	9312621860125	
32mm	147	7600135	9312621860149	

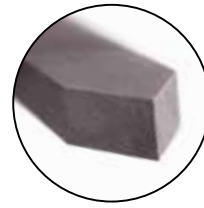
Size	Flute Length	Item #	Barcode	Price
Unhandled				
25mm	147	7605125	9312621860484	
32mm	147	7605135	9312621860491	



F.



G.



H.



I.

Skew Chisels (F)

Extra heavy duty, machined from solid M2 HSS with one rounded edge for greater control when used in finishing work, this should also lessen damage to your tool rest.



Discount Group: Z0902

Size	Flute Length	Item #	Barcode	Price
Handled				
12 x 6mm	175	7600212	9312621860163	
18 x 6mm	170	7600218	9312621860170	
24 x 8mm	165	7600224	9312621860187	
30 x 8mm	160	7600230	9312621860194	

Size	Flute Length	Item #	Barcode	Price
Unhandled				
12 x 6mm	175	7605212	9312621860507	
18 x 6mm	170	7605218	9312621860521	
24 x 8mm	165	7605224	9312621860538	
30 x 8mm	160	7605230	9312621860545	

Scraper – Square End (G)

Extra heavy duty (8mm thick) square end scrapers made from M2 HSS.



Discount Group: Z0902

Size	Flute Length	Item #	Barcode	Price
Handled				
12 x 8mm	175	7600312	9312621860248	
18 x 8mm	170	7600318	9312621860255	
24 x 8mm	165	7600324	9312621860262	
30 x 8mm	160	7600330	9312621860279	

Size	Flute Length	Item #	Barcode	Price
Unhandled				
12 x 8mm	175	7605312	9312621860590	
18 x 8mm	170	7605318	9312621860606	
24 x 8mm	165	7605324	9312621860613	
30 x 8mm	160	7605330	9312621860620	

Parting Off Tools (H)

Machined from M2 HSS with parallel sides providing constant blade width when resharpened.



Discount Group: Z0902

Size	Flute Length	Item #	Barcode	Price
Handled				
3 x 12mm	175	7600303	9312621860224	
6 x 12mm	175	7600306	9312621860231	

Size	Flute Length	Item #	Barcode	Price
Unhandled				
3 x 12mm	175	7605303	9312621860576	
6 x 12mm	175	7605306	9312621860583	

Beading Tool (I)

Machined from M2 HSS with parallel sides providing constant blade width when resharpened.



Discount Group: Z0902

Size	Flute Length	Item #	Barcode	Price
Handled				
10 x 10mm	172	7600410	9312621860330	

Size	Flute Length	Item #	Barcode	Price
Unhandled				
10 x 10mm	172	7605410	9312621860668	

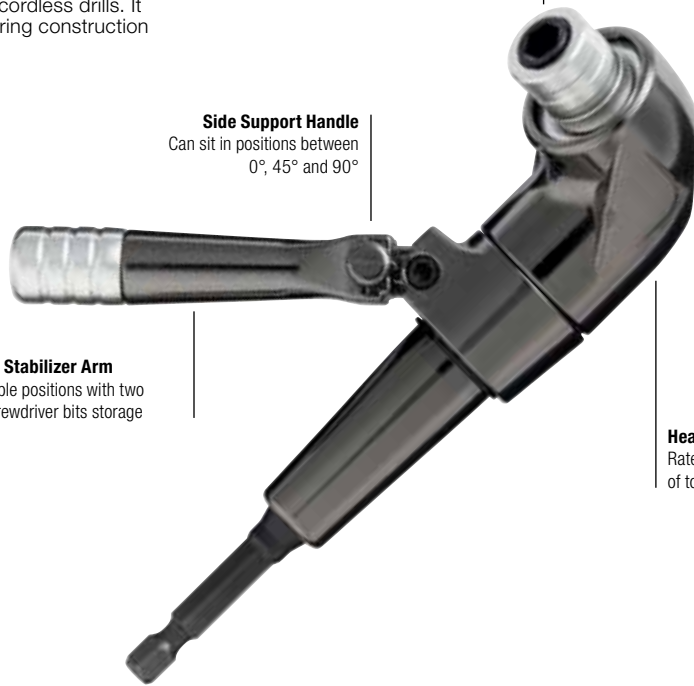
Miscellaneous Right Angle Drill Attachment



P&N Angle Driver is designed for power drills, for driving at 90° or where space is limited. Ideal for 2.4 Volt to 18 Volt cordless drills. It has all-metal housing and steel gears with ball bearing construction for durability.



The compact design (only 50mm wide) allows it to fit in tight spaces.



Accepts Standard 1/4" Hex Shank Bits

Side Support Handle
Can sit in positions between 0°, 45° and 90°

Gripped Stabilizer Arm
24 possible positions with two piece screwdriver bits storage

Heavy Duty
All metal housing and steel gears with ball bearing construction

Head Rotates 360°
Rated up to 500 in-lbs of torque with 2000rpm

Discount Group: A0424

Description	Contents	Item #	Barcode	Price
5pce Right Angle Drill Attachment with Swivel Handle	Right Angle Attachment 25mm insert bit Torsion Phillips #2 25mm insert bit Hex 5mm 50mm Torsion Phillips #2 50mm Square Recess R2	107RAD001	9311744439058	
26pce Mini Right Angle Drill Attachment Kit with Fixed Handle	1/4" Mini Right Angle Driver Attachment 1/4" Quickbit Adaptor 1/2" Quickbit Countersink 25mm Screwdriver Bits: PH0-1-2-3, PZ1-2-3, SL4-5.5-7, T10-15-20-25-27-30-40, Hex 5mm, R2, 1/4 sq Driver Socket Adaptor Double Ended Impact Bits: PH2 x50, PH2 x75, PH2 x100mm	107RAD038	9311744439799	
5pce Flexible Mini Right Angle Drill Attachment	1/4" Flexible Mini Right Angle Driver Attachment Screwdriver Bits: PH2 x25, PH2 x50, R2 x50, Hex 5 x50	107ADF300	9311744441983	



107RAD001



107RAD038



107ADF300

Universal Connector System

RECIPROTOOLS®

Universal adapter
locks in just like
a recip saw blade

Quick-change
hex shank
allows six-position
accessory rotation

Heavy-duty accessories
for durability and long-life



More uses!

Transform your recip saw to do more than just cutting. Secure the universal quick-connect adapter just like a standard saw blade. Then lock in a P&N ReciproTools® accessory to:

- Remove tile, lino, laminate flooring, rubber-backed carpet, paint, wallpaper, glue and more
- Brush and scrape loose paint
- Remove rust and corrosion
- Clean tile, lino, fibreglass, concrete, brick and most hard surfaces
- Remove old grout from tiles

More performance!

An innovative multi-tool attachment system that allows six-position accessory rotation for the most convenient recip saw handling and grip.

More power!

Utilising a push/pull motion, reciprocating saws are extremely powerful and efficient cutting tools for construction and demolition work.

DO MORE WITH YOUR
RECIP SAW





Check out the demo

Transform your recip saw to do more than just cutting. Secure the universal quick-connect adaptor just like a standard saw blade.

Then lock in a P&N ReciproTools® accessory to:

- Remove tile, lino, laminate flooring, rubber-backed carpet, paint, wallpaper, glue and more
- Brush and scrape loose paint
- Remove rust and corrosion
- Clean tile, lino, fibreglass, concrete, brick and most hard surfaces
- Remove old grout from tiles



108900206



Quick-change hex shank
allows six-position accessory rotation

Heavy-duty accessories
for durability and long-life

Universal adaptor
locks in just like a recip saw blade

Discount Group: Z1301

Diameter	Shank	Item #	Barcode	Price
Universal Adaptor	Universal	108900200	9311744440153	
Replacement Tang Kit	1/4	108900201	9311744440160	
Scraper 50mm	1/4	108900202	9311744440177	
Scraper 100mm	1/4	108900203	9311744440184	
Scraper 150mm	1/4	108900204	9311744440191	
Cleaning/Scour Pad	1/4	108900205	9311744440207	
Stainless Steel Brush	1/4	108900206	9311744440214	
Grout Remover	1/4	108900207	9311744440221	
Tear Off Pad	1/4	499980487		

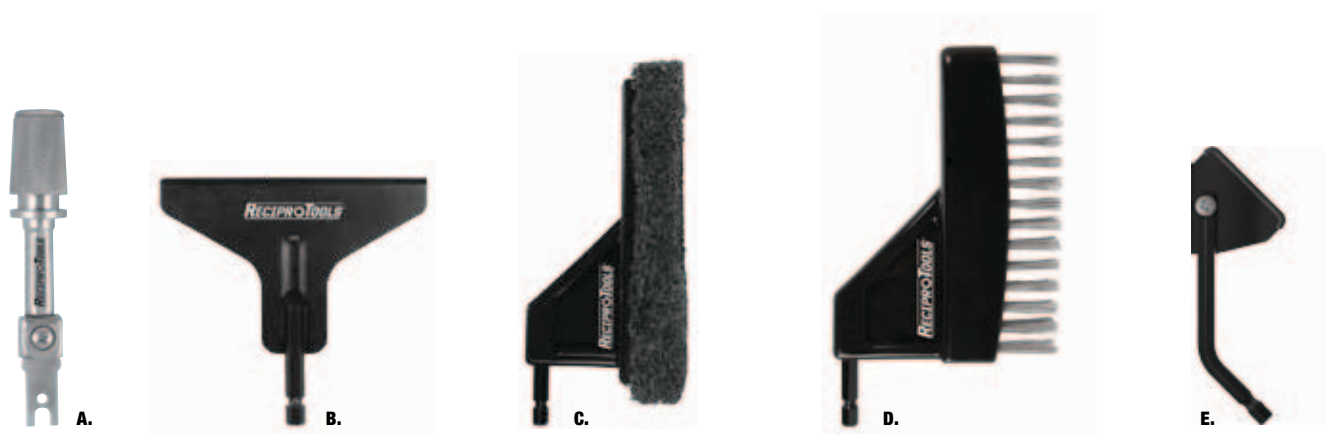
A. Universal Adaptor: Expands reciprocating saw uses to file, scrape, brush, scrub, scour, deburr, sand and more. Fits all reciprocating saw brands.

B. Scraper: 50mm: General purpose scraping and surface preparation for refinishing and painting. Suitable for wood, metal, plastic & masonry. 100mm & 150mm: General purpose scraping on tough materials. Scrape and remove: tile, lino, laminate flooring, rubber-back carpet, paint, wallpaper, glue and more. Suitable for wood, metal, plastic, tile & masonry.

C. Cleaning/Scour Pad: Thick, heavy-duty scour pad. General cleaning of hard surfaces. Suitable for wood, metal, plastic, tile & masonry.

D. Stainless Steel Brush: Remove loose paint, stains, rust and corrosion. Clean and prepare surfaces for painting, resurfacing and welding. Suitable for wood, metal, stainless steel & masonry.

E. Grout Remover: Carbide grit edges for fast, easy material removal. Includes interchangeable locking blades (1.5 & 3mm). Suitable for tiles.



SELF-ADJUSTING PLIERS

LOCKJAW™

AUTOMATIC™

7x
FASTER

SINGLE-HAND
OPERATION

100%
EASIER



LOCKJAW™ Self-Adjusting Locking Pliers provide the versatility of standard locking pliers. However, that's where the comparison ends.

Traditional locking pliers require two hands to adjust the jaw opening for each task; LOCKJAW™ patented Set & Forget™ pressure control screw locking mechanism allows the jaws to automatically adjust to any size object for simple one-handed operation.

Whether grabbing something thick or something thin, LOCKJAW™ Self-Adjusting Locking Pliers make jobs faster and easier.

Automatically lock on any size without adjusting

Jaws automatically locks with highest tip pressure

Chrome Molybdenum steel for durability and rust prevention

15% thinner handle for easier grip and more power



Automatically grab any size without adjusting

Set and Forget™ Set desired clamp pressure, from slight to extreme and jaws automatically adjust to any size with equal grip pressure

No pinch easy squeeze release lever stays locked until you release it

Parallel jaws maintains automatically for optimal grip

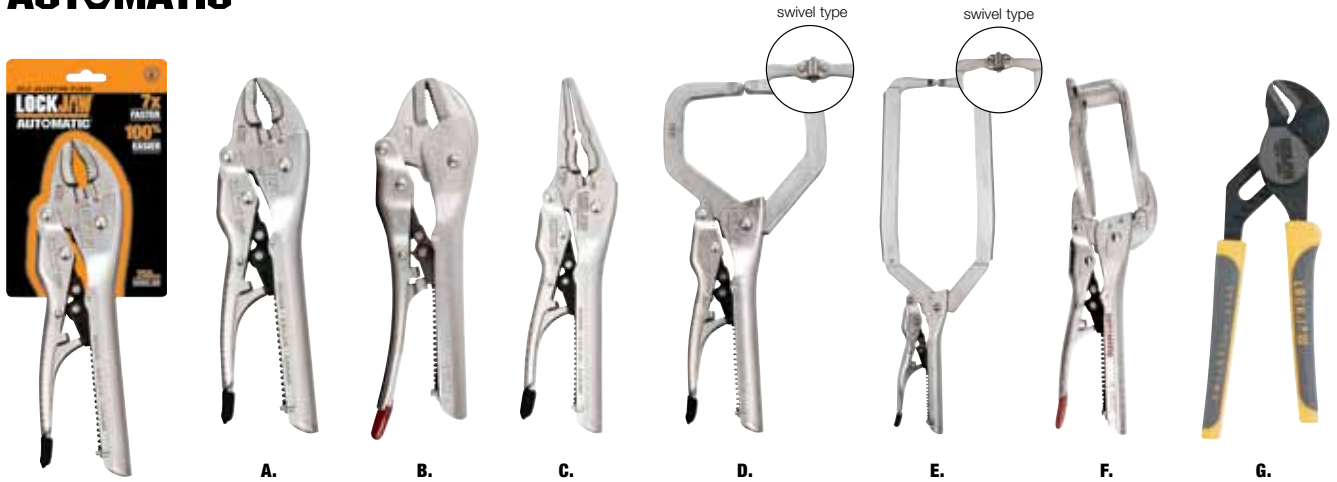


SELF-ADJUSTING PLIERS
LOCKJAW™
AUTOMATIC™

These pliers provide the versatility of a standard plier plus more. Traditional pliers require two hands to adjust the jaw open. Lockjaw™ self adjusting capability makes jobs faster and easier.



Check out the demo



Discount Group: Z1001

Diameter	Case	Pieces	Item #	Barcode	Price
Curved Jaw					
150mm (6") Curved jaw			061000	180611061000	
250mm (10") Curved jaw			101003	180611101003	
Straight Jaw					
250mm (10") Straight jaw			101102	180611101102	
Needle Nose					
175mm (7") Needle nose			093001	180611093001	
C-Clamps					
175mm (7") C-Clamp			062007	0180611062007	
175mm (7") C-Clamp swivel pads			062014	180611062014	
275mm (11") C-Clamp			102000	180611102000	
275mm (11") C-Clamp swivel pads			102017	0180611102017	
C-Clamps Extended Reach					
250mm (10") extended reach C-Clamp			062069	0180611062069	
250mm (10") extended reach C-Clamp with swivel pad			062076	0180611062076	
480mm (19") extended reach C-Clamp			182002	180611182002	
480mm (19") extended reach C-Clamp with swivel pad			182019	180611182019	
Welding Clamps					
230mm (9") Welding Clamp			095005	180611095005	
Auto-grip					
165mm (6 1/2") Auto-Grip groove pliers			206005	0180611206005	
240mm (9 1/2") Auto-Grip groove pliers			209006	180611209006	
Promotional Sets					
150mm (6") Curved, 250mm (10") Curved			802009	0180611802009	
250mm (10") Curved, 175mm (7") Needle			803006	0180611803006	
150mm (6") Curved, 250mm (10") Curved, 175mm (7") Needle			801002	0180611801002	
165mm (6 1/2") & 240mm (9 1/2") Auto-Grip groove pliers			805000	0180611805000	
250mm (10") Curved & 240mm (9 1/2") Auto-Grip groove pliers			804003	0180611804003	

A. Curved Jaw: Lockjaw curved jaw pliers are innovative, heavy duty and time saving tools, built for professionals.

B. Straight Jaw: Lockjaw straight jaw pliers are innovative, heavy duty and time saving tools, built for professionals.

C. Needle Nose: Long heavy-duty gripping nose provides excellent control and reach for work in confined spaces.

D. C-Clamp: Wide opening jaws provide greater versatility in clamping a variety of shapes.

Swivel C-Clamp: Wide opening jaws with swivel pads which allow parallel clamping while preventing denting or gouging on delicate surfaces.

E. Extended Reach Clamp: Similar to the C-Clamp, these pliers offer a deeper throat for extra reach.

Swivel Extended Reach Clamp: Swivel pads allow parallel clamping while preventing denting or gouging on delicate surfaces.

F. Welding Clamp: For use in welding applications or for holding awkward shapes in place. Forked jaws provide greater visibility.

G. Auto-grip: Self adjusting, you simply close the handles and the jaws automatically adjust to parallel on any size object.

Miscellaneous Frost DIY Range



92294



92282

Discount Group: Z1001

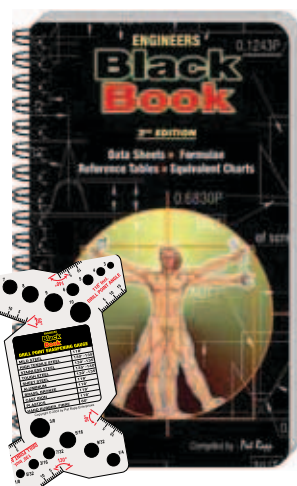
Description	Item #	Barcode	Price
10pc Mounted Stone Set Popular shapes for grinding and sharpening	92294	9312621922946	
4 Way Chuck Key Universal – Fits most popular chucks	92282	9312621922823	

Miscellaneous Black Book



The ultimate reference books ideal for engineers, trades people, apprentices, machine shops, tool rooms and technical colleges

- Pocket Sized
- Grease / Tear Proof
- Lay-Flat Format



L100 V2EN

Engineers Black Book 164 Pages of:

- Tables
- Standards
- Illustrations
- Grinding wheels
- Conversion factors
- Tapers
- Lubricants-coolants
- Bolts & nuts
- Spur gear calculations
- Tungsten carbide
- Plastics
- Sharpening information
- G Codes
- Hardening & tempering
- Formulae
- Geometrical construction
- Weights of metal
- Engineering drawing standards
- Tolerances
- Keys & keyways
- Tapping drill sizes
- Speeds & feeds
- Equivalent charts



L200 V1EN

Fastener Black Book 248 Pages of:

- Screw thread fundamentals
- Standards
- Heat treatment
- Thread classes
- Grades
- Materials & coatings
- Failures & corrosion
- Thread terminology
- Tolerances
- Fastener strengths & markings
- Hydrogen embrittlement
- Screw thread profiles
- Dimensional Specifications
DIN / ISO / ANSI
- Galling
- Material selection
- Torque control
- Platings
- Elevated temperature effects

Discount Group: Z0502

Description	Pages	Bonus	Item #	Barcode	Price
Engineers Black Book	164	Drill Gauge	L100 V2EN	9780958057110	
Fasteners Black Book	248	Thread Pitch Gauge	L200 V1EN	9780958057134	